

A module for the XDense architecture in ns-3

João Loureiro, Michele Albano, Tiago Cerqueira,
Raghuraman Rangarajan, Eduardo Tovar
CISTER, ISEP/INESC-TEC
Rua Dr. António Bernardino de Almeida 431
4249-015, Porto, Portugal
+351 228340502

EXTENDED ABSTRACT

The acquisition of data regarding some dynamic phenomena can require extremely dense deployments of sensors and high sampling rates. We propose XDense [1], a wired mesh grid sensor network architecture (see Figure 1a) tailored for scenarios that benefit from thousands of sensors per square meter. XDense has scalable network topology and it enables complex feature extraction in real-time from the observed phenomena, by exploiting distributed processing capabilities and inter-node communication, the latter being represented in Figure 1b.

We implemented a simulation framework on top of NS-3 by developing a module for Network-on-Chip-like (NoC) grid networks, which is complemented by communication protocols and application layers. The architecture of a node in our topology is represented in Figure 1c. The application layer (App) runs the network protocols and application specific algorithms for data processing. It samples the sensing units (S), and communicates

with the node's neighbors in the four directions (Figure 1b) using the net-devices (ND) through the switch internal to the node (Sw). Acquisition and preprocessing of data are done in real-time in an ns-3 application layer.

We integrated the XDense architecture with a physical simulation engine, which provides XDense with data regarding an experiment on computational fluid dynamics (CFD). That is, we "feed" each sensor (S) of our network with spatial and temporal data extracted from a reliable representation of a real CFD phenomenon (a free-air-jet).

To demonstrate our module on Dense Network & Network on Chip for sensing, we will consider a sensor network of $N \times N$ sensors with a sink in the center, for example 100×100 sensors. In the demo, we will show a video of a physical CFD event (air jet getting into a room), an overview code of the simulator, and a Python application built on the simulation framework that shows the signal as reconstructed by our sensor network. We also demonstrate the post-processing tools for packet and flow tracing, statistical survey and qualitative analysis of the sensed and processed data.

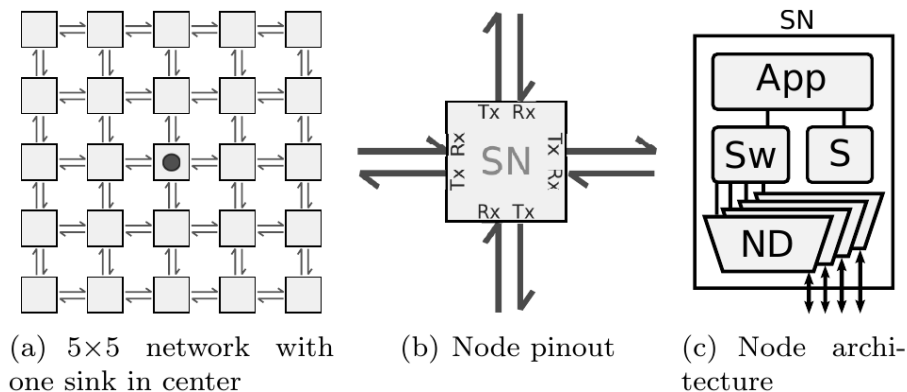


Figure 1 Overview of the XDense network architecture

Permission to make digital or hard copies of all or part of this work for personal or classroom use is granted without fee provided that copies are not made or distributed for profit or commercial advantage and that copies bear this notice and the full citation on the first page. Copyrights for components of this work owned by others than ACM must be honored. Abstracting with credit is permitted. To copy otherwise, or republish, to post on servers or to redistribute to lists, requires prior specific permission and/or a fee. Request permissions from Permissions@acm.org.

WNS3 2015, May 13 2015, Barcelona, Spain

© 2015 ACM ISBN 978-1-4503-3375-7/15/05 ...\$15.00
DOI: <http://dx.doi.org/10.1145/2756509.2756515>.

The code of the simulator module will be delivered for the NS-3 review by the end of the summer. By the end of April 2015, the current state of the code will be available on:

<https://bitbucket.org/joaofl/usn>

ACKNOWLEDGMENTS

This work was partially supported by National Funds through FCT/MEC (Portuguese Foundation for Science and Technology) and when applicable, co-financed by ERDF (European Regional Development Fund) under the PT2020 Partnership, within project

UID/CEC/04234/2013 (CISTER Research Centre); also by FCT/MEC and ERDF through COMPETE (Operational Programme 'Thematic Factors of Competitiveness'), within project FCOMP-01-0124-FEDER-020312 (SMARTSKIN); also by FCT/MEC and ERDF through COMPETE (Operational Programme 'Thematic Factors of Competitiveness'), within project CarCoDe (ITEA2 Nr. 11037, QREN - SI I&DT Nr. 30345); by FCT/MEC and the EU ARTEMIS JU within project ARTEMIS/0004/2013 - JU grant nr. 621353 (DEWI, www.dewi-project.eu); by the government of Brazil through CNPq, Conselho Nacional de Desenvolvimento Científico e Tecnológico.

REFERENCES

- [1] João Loureiro, Raghuraman Rangarajan, and Eduardo Tovar. "Xdense: A dense grid sensor network for distributed feature Extraction," in Proc. of 33rd Simpósio Brasileiro de Redes de Computadores e Sistemas Distribuídos (SBRC 2015) - Workshop de Comunicação em Sistemas Embarcados Críticos (WoCCES), (to be presented in May 2015).